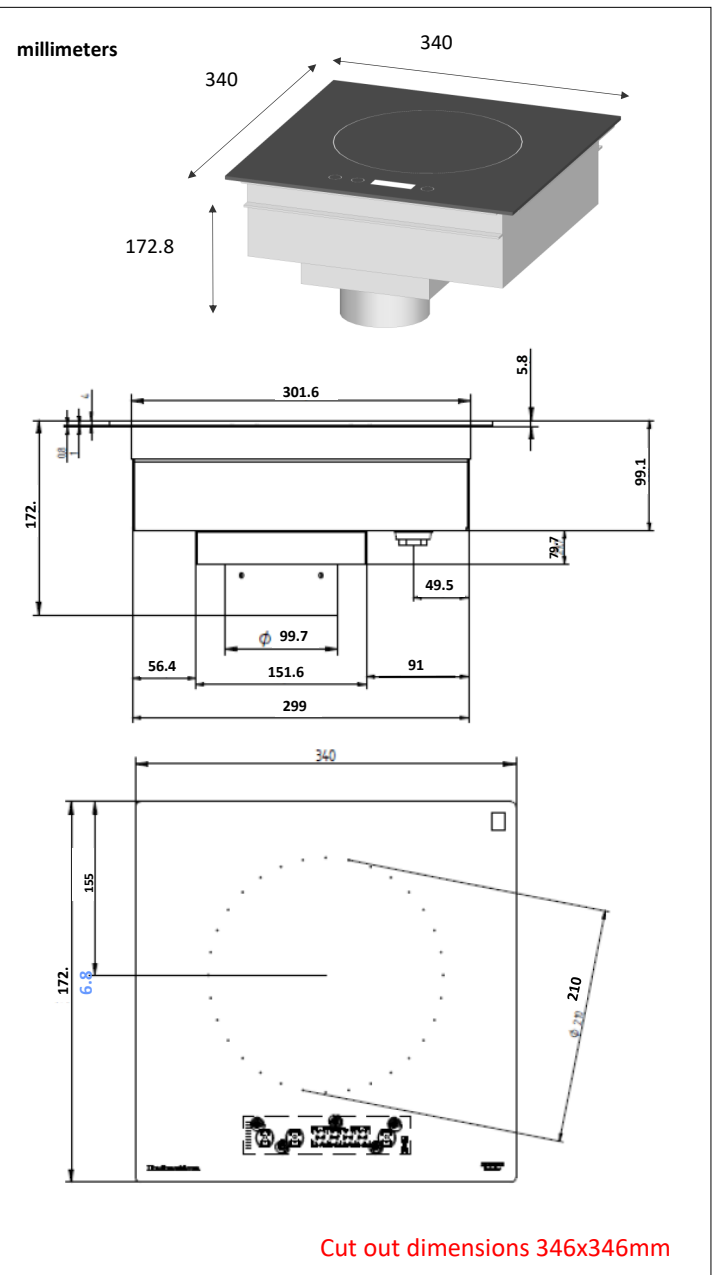


## TECHNICAL FEATURES

|                              |                                                                                                                          |
|------------------------------|--------------------------------------------------------------------------------------------------------------------------|
| <b>External structure</b>    | AISI 304 stainless steel                                                                                                 |
| <b>Dimensions</b>            | 340x340                                                                                                                  |
| <b>Power</b>                 | 3000W                                                                                                                    |
| <b>Cooking surface</b>       | Vitroc ceramic glass.                                                                                                    |
| <b>Control panel</b>         | Capacitive touches control panel                                                                                         |
| <b>Amp</b>                   | 13A                                                                                                                      |
| <b>Functions</b>             | On/Off, manual power level setting (+/-) with 4 digits display and timer control                                         |
| <b>Power supply</b>          | 230 V ;<br>208/240 V ;<br>AC 50 - 60 Hz                                                                                  |
| <b>Weight</b>                | 8 kg kg / 17,3 lbs.                                                                                                      |
| <b>Standards</b>             | Complies with European standards for safety of electrical appliances, for EMC, for Rohs and Intertek NSF & UL standards. |
| <b>Details &amp; Options</b> | Including a power cord and a washable filter (wash regularly).                                                           |



**ADVENTYS**  
Route de Pagny - 21250 Seurre - France  
www.adventys.com  
sales@adventys.com  
T: +33 3 80 20 46 15

**Important note**

Adventys reserves the right to modify specifications without notice.

